

**100+ YEARS OF EUROPEAN
TRUST & COMMITMENT**



Next Step To Future

TLX 20

2.0Ton Battery
Operated Pallet Truck



WHY BUY ME?

- ✔ High performance heavy duty BOPT in its class
- ✔ Safest BOPT with operator guards, operator sensor platform & proximity sensors
- ✔ Easy to ride & maintain



TOLL FREE NUMBER- 1800 270 1123

BRAND HISTORY

1917



Founded in **1917**; starts in 1918 the production of cars

1933



In **1933**, acquisition by FIAT Group

1937



In **1937** The Plants Of Milan And Brescia Are Unified And The agricultural Machinery Division Of Suzzaral Is Incorporated With The Growth Of 3 New Segments :
1.Buses, Trucks, **2.**Rail Equipment, Agricultural Tractors, Forklift Trucks, Marine Engines
3.Engine Pumps And Cooling Systems

1957



In **1957** OM becomes FIAT Carrelli Elevatori, belonging to IVECO Division

1961



In **1961** PIMESPO, Piccola Industria Meccanica sul Po was born in Luzzara, manufacturing WH Trucks

1981



In **1981** FIAT IVECO acquires PIMESPO.

1992



In **1992** LINDE Group acquires from FIAT the Forklift Division.

2002



In **2002** the Company changes his name into OM Carrelli Elevatori keeping the Brand OM PIMESPO.

2005



In **2005** Luzzara becomes a Plant for the whole STILL Group

2006



In **2006** Linde, Still and OM are unified into the KION Group.

2017



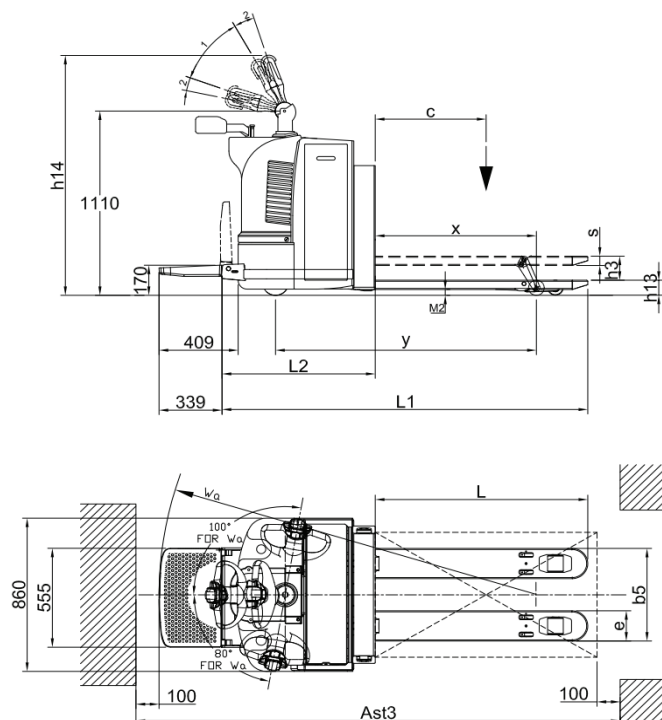
In **2017**, OM launched in Indian market.



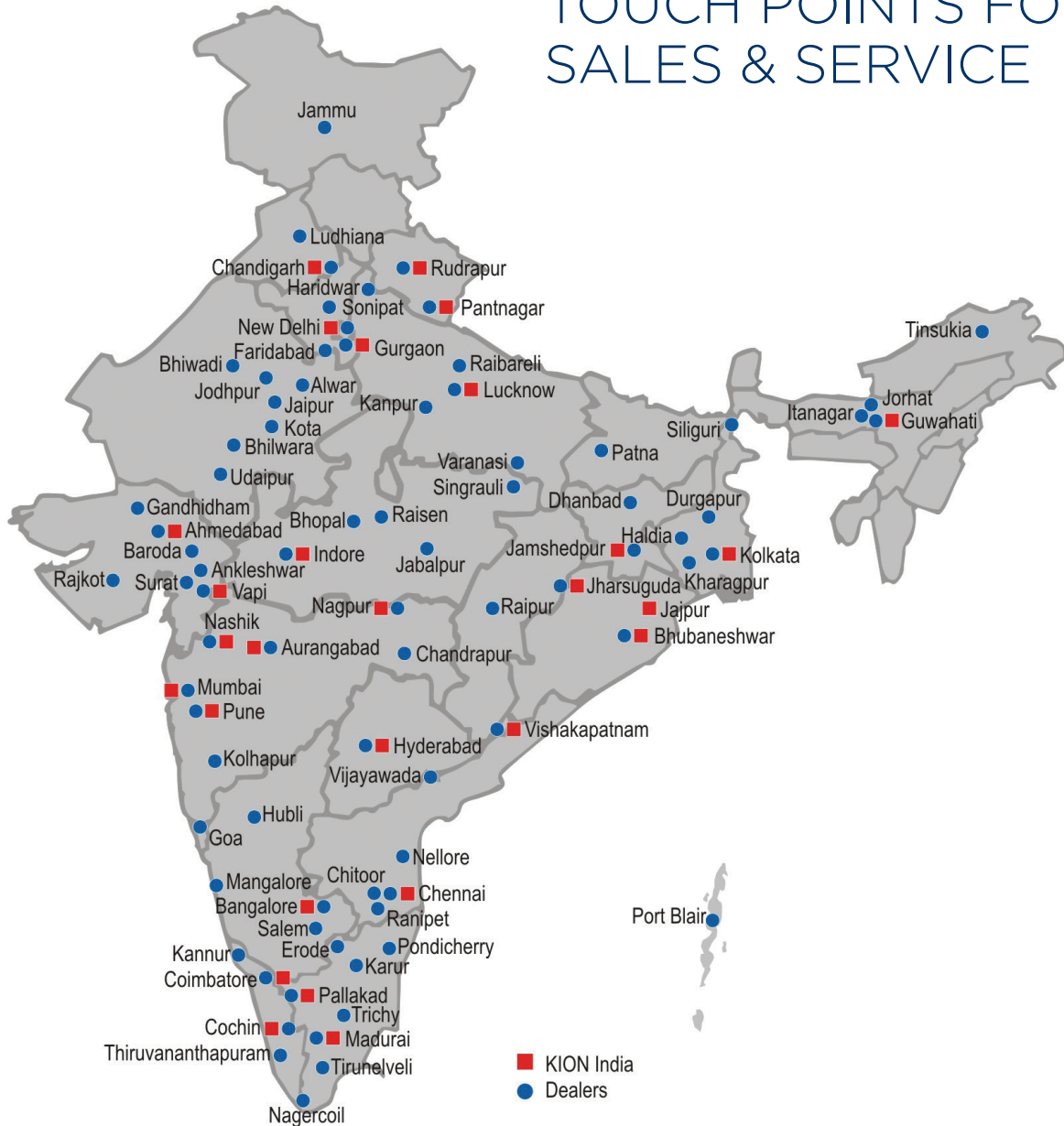
OVERALL DIMENSIONS AND SPECIFICATIONS FOR TLX 20

CHARACTERISTICS	1.1	Manufacturer		KION India
	1.2	Manufacturer model designation		TLX 20
	1.3	Power unit		Electric
	1.4	Operator type : Hand, Pedestrian, Standing, Seated, Order - picker		Standing
	1.5	Load capacity	Q (kg)	2000
	1.6	Load center distance	c (mm)	600
	1.7	Load distance, center of load wheel to raised forks	x (mm)	872
	1.8	Wheelbase	y (mm)	1412
WEIGHT	2.1	Truck weight (with battery)	kg	770
WHEEL & TYRES	3.1	Tyre :rubber, pneumatic, polyurethane		Polyurethane
BASIC DIMENSIONS	4.1	Lift height	h3 (mm)	135
	4.2	Min / Max Height of tiller	h14 (mm)	1220 / 1475
	4.3	Overall width	b1 (mm)	860
	4.4	Outside fork width	b5 (mm)	570 / 685
	4.5	Turning radius (Platform Closed / Open)	Wa (mm)	1732 / 2040
PERFORMANCE	5.1	Travel speed (Platform open) Loaded / Unloaded	km/h	6 / (6/6.7)
	5.2	Lift speed Loaded / Unloaded	m/s	0,034 / 0,045
	4.3	Lowering speed Loaded / Unloaded	m/s	0,045 / 0,045
	5.4	Max gradeability (S2 30 min) Loaded / Unloaded	%	7 / 10
	5.5	Max gradeability (S2 5 min) Loaded / Unloaded	%	4.5 / 12
	5.6	Service brake		Electric
E MOTORS	6.1	Drive motor power	kW	2.2
	6.2	Lift motor power 15% ED	kW	1.2
	6.3	Battery voltage / capacity (5 hour rate)	V / Ah	24 / 258
	6.4	Battery Compartment	V / Ah	258Ah Standard
MISC	7.1	Steering		Manual

All specifications are subjected to $\pm 12\%$ tolerance apart from those governed by BIS.
Due to continuous design improvements, the specifications are subject to change without notice.



100+ CUSTOMER TOUCH POINTS FOR SALES & SERVICE



Address :

KION INDIA Private Limited, 5/4 Chandan Nagar,
Pune Nagar Road, Pune-411014

TOLL FREE NUMBER- 1800 270 1123